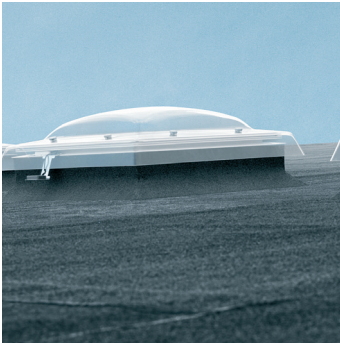


# CFP/CVP Flat roof windows



Innovative VELUX solution for bringing large amounts of daylight into a flat roof.

**Application**

**Features/Benefits**

- Entire window achieves a low U-value of 1.4W/m<sup>2</sup>K.
- Excellent sound insulation from rain and hail.
- Polycarbonate cover designed simply to protect the double glazed unit below from rain and snow.
- Polycarbonate cover available in clear or opaque.
- Double glazed unit has laminated inner pane for additional safety.
- Kerb and sash made of extruded hard PVC profiles.
- Available in 9 sizes with kerb height of 150mm.
- Available fixed or INTEGRA<sup>®</sup> electrically operated with hidden motor (INTEGRA<sup>®</sup> window provides ventilation when the window is open).

Rain sensor closes window automatically with INTEGRA<sup>®</sup> electric version.

**Operation**

The pane should be cleaned with a soft, clean, lint-free cloth or non-abrasive sponge. The rest of the window can be cleaned with ordinary household cleaners.

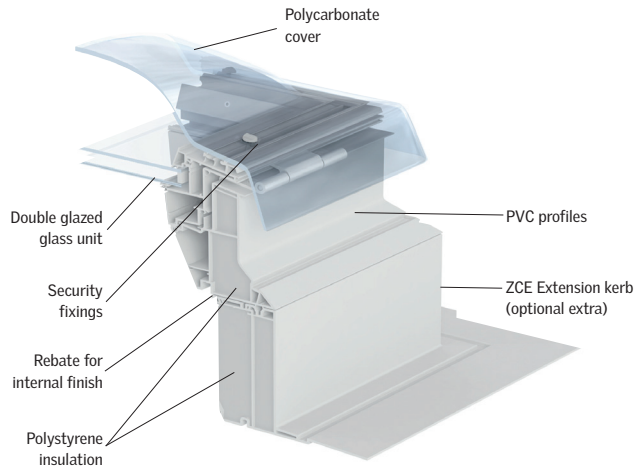
**Maintenance**

- 10 year VELUX guarantee on windows
- 3 year guarantee for the electrical items, blinds, shutters and awnings

**Guarantee**

(--73) Float outer pane with low-e coating on the external pane and laminated inner pane recommended by VELUX for additional safety.

**Pane**



**Installation products recommended by VELUX:**

- Controls**
- Electrical CVP only



**Blinds:**

- Interior sun screening**
- FMG electric operated pleated blind
  - FMK electric operated light dimming pleated blind (both require KUX 100 controlunit when fitting to CVP)
- External sun screening**
- MSG solar awning

6

**Polycarbonate cover variants:**

- Clear or opaque

**Additional accessories:**

- ZCE 0015 – Extension kerb 150mm
- ZZZ 210 – Frame fixing kit for roof material

**Ventilation variants:**

- CFP – fixed – no ventilation
- CVP – INTEGRA<sup>®</sup> electric

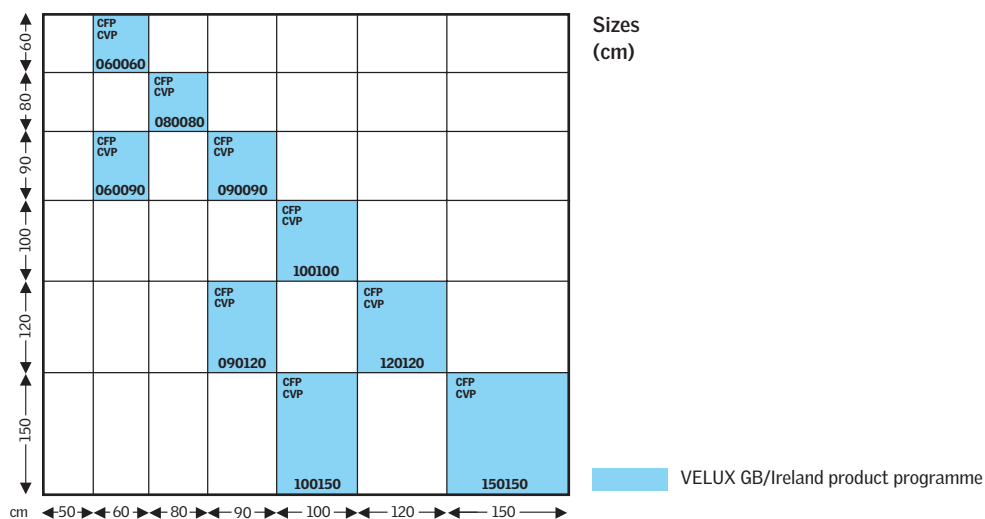
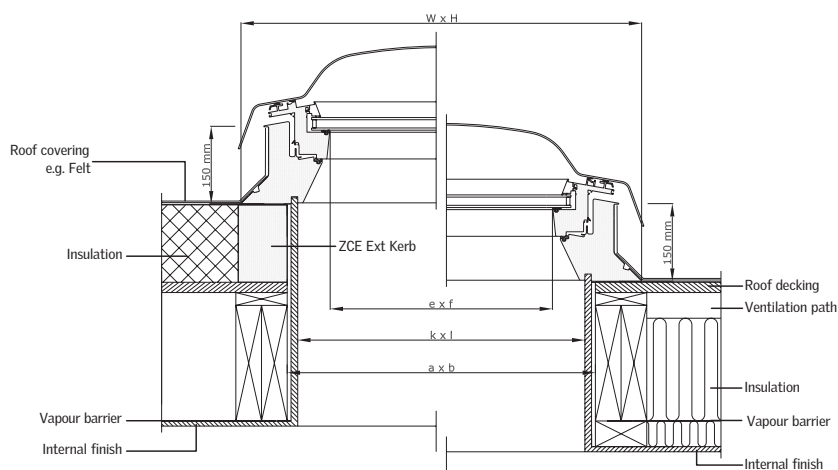
**Variants**

# Technical data – CFP/CVP

## Measurements (mm)

Size	Exterior frame W x H	Roof opening a x b	Visible glass e x f	Lining rebate k x l
060060	780 x 780	600 x 600	435 x 435	559 x 559
060090	780 x 1080	600 x 900	435 x 735	559 x 859
080080	980 x 980	800 x 800	635 x 635	759 x 759
090090	1080 x 1080	900 x 900	735 x 735	859 x 859
090120	1080 x 1380	900 x 1200	735 x 1035	859 x 1159
100100	1180 x 1180	1000 x 1000	835 x 835	959 x 959
100150	1180 x 1680	1000 x 1500	835 x 1335	959 x 1459
120120	1380 x 1380	1200 x 1200	1035 x 1035	1159 x 1159
150150	1680 x 1680	1500 x 1500	1335 x 1335	1459 x 1459

## Cross-section/measurements (mm)



## Technical data

Size	060060	060090	080080	090090	090120	100100	100150	120120	150150
Ventilation – open window [m <sup>2</sup> ] (CVP only)	0.12	0.14	0.16	0.18	0.20	0.20	0.23	0.24	0.30
Effective daylight area [m <sup>2</sup> ]	0.19	0.32	0.40	0.54	0.76	0.70	1.18	1.07	1.86

Pane variant	CFP clear	CFP opaque	CVP clear	CVP opaque	EN/ISO Standard
Thermal transmittance, U <sub>w</sub> [W/m <sup>2</sup> K]	1.4	1.4	1.4	1.4	EN ISO 12567-2
Thermal transmittance for Dome	0.72	0.72	0.72	0.72	EN 1873
Sound insulation, R <sub>w</sub> [dB]	36	36	37	37	EN ISO 10140-2
Rain noise sound intensity level L <sub>RA</sub> [dB]	51	51	50	50	EN ISO 140-18
Air permeability	Class A3	Class A3	Class 4	Class 4	EN 12153
Luminous transmittance, τ <sub>0.65</sub>	0.70	0.21	0.69	0.21	EN 1873
Total solar energy transmittance, g	0.51	0.20	0.52	0.20	EN 410
Burglary Resistance	Class 2	Class 2	Class 2	Class 2	EN 1627